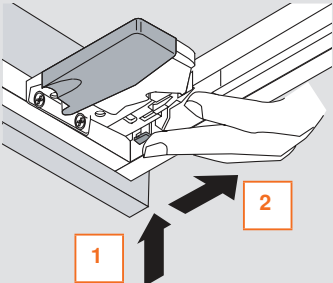
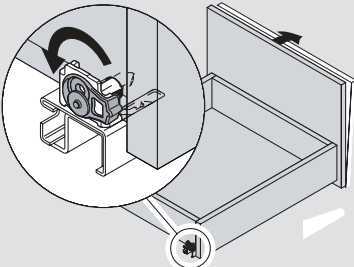




# Drawer Adjustments

## Drawer Adjustments

Height adjustment	Tilt adjustment	Drawer removal
<p data-bbox="107 630 428 675">1 Press up on adjustment tab</p> <p data-bbox="107 683 428 729">2 Push towards back of drawer</p>  <p data-bbox="92 1040 537 1065">Maximum 3 (1/8") rise of drawer front (tool-free)</p>	<p data-bbox="751 621 1356 703">Rotate the tilt adjustment lever on the rear of each runner to lift the back of the drawer and tilt the top of the drawer front forward</p>  <p data-bbox="751 1040 1199 1065">Maximum 5 (3/16") rise of drawer back (tool-free)</p>	<p data-bbox="1430 634 1892 667">1 Squeeze orange handles on locking devices</p> <p data-bbox="1430 740 1759 773">2 Pull drawer straight out and up</p> 